

TECHNICAL DATA

ENCLOSURE :-
EX-d AS PER IS/IEC 60079-1:2007

PROTECTION :-
IP-66 AS PER IS 12063-1987 (IS/IEC 60529:2001)

AREA CLASSIFICATION :-
ZONE -1 & 2

TEMPERATURE CLASS :-
T6

GAS GROUPS :-
IIA, IIB & IIC

MATERIAL OF CONSTRUCTION :-
DIE CAST AL. ALLOY LM-6

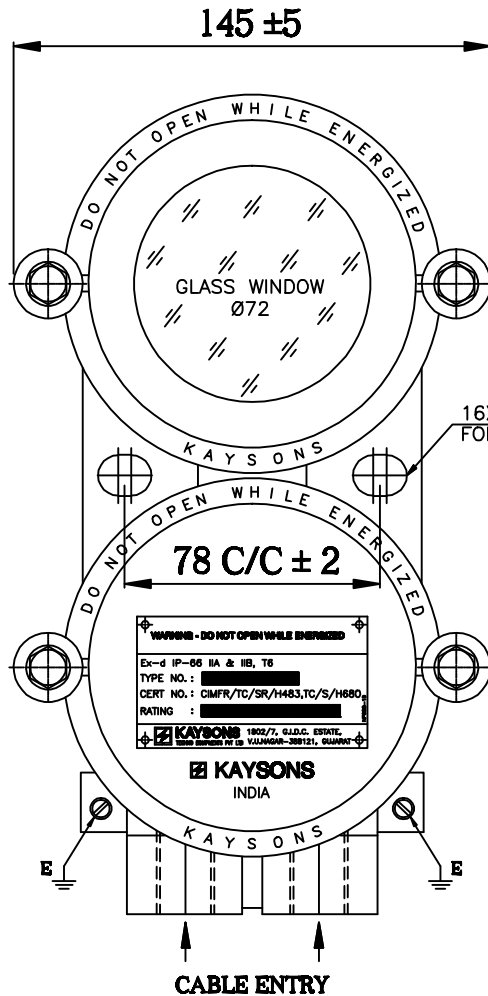
HARDWARE :-
STEEL ZINC PLATED/STAINLESS STEEL

FINISH :-
LIGHT GREY | YELLOW
FOR IIA & IIB | FOR IIC

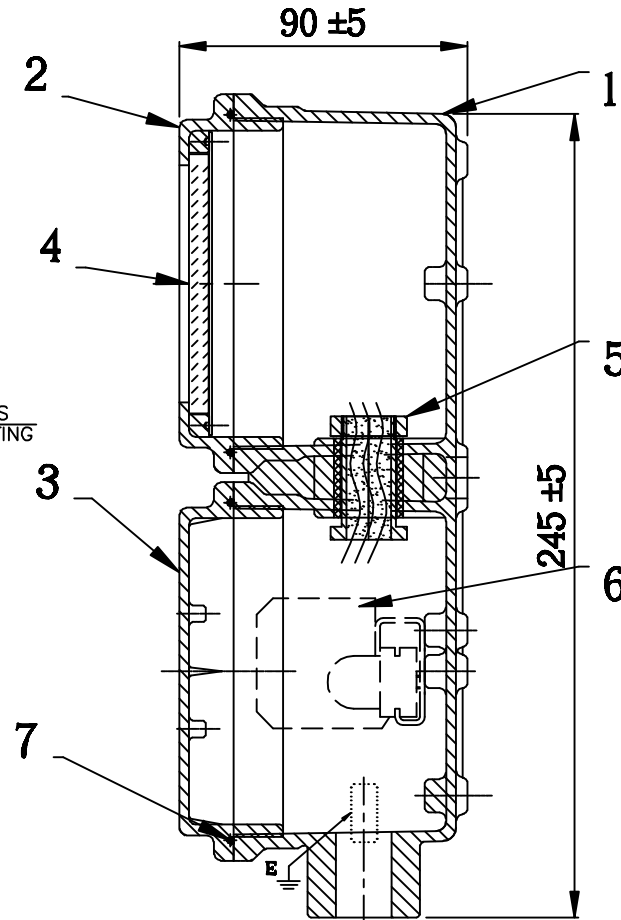
EARTHING :-
1 NO. INSIDE & 2 NOS. OUTSIDE

CABLE ENTRY :-
3/4"ET - 02NOS.

07.	GASKET (ENDLESS, MOULDED)	2	NEOPRENE
06.	TERMINAL	A.R.	CLIPON TYPE RAIL MOUNTED
05.	WIRE BUSH	1	GLASSFEEL NYLONE
04.	GLASS WINDOW	1	Ø72mm
03.	TERMINAL BOX COVER	1	DIE CAST AL. ALLOY
02.	MAIN BODY COVER	1	DIE CAST AL. ALLOY
01.	BODY	1	DIE CAST AL. ALLOY
NO.	DESCRIPTION	QTY	MAT./RATING



16X12HOLES FOR MOUNTING



CLIENT	DRAWN	MJP
CONSULTANT	CH'D	MJP
P.O.No.	APP'D	MJP

DESCRIPTION:-
FLAMEPROOF WEATHERPROOF INSTRUMENT ENCLOSURE



1802/7, G.I.D.C. ESTATE,
V.U.NAGAR 388121. (GUJARAT)

SHT.NO.	REV.	DRG.NO.:-
1 OF 1	0	K02

ISSUE	DATE	BY	MODIFICATION
-------	------	----	--------------